



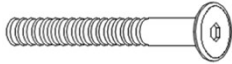


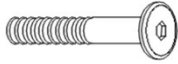

ASSEMBLY INSTRUCTION




Sunpan Product Name: **CORTLEIGH DINING TABLE - 53"**

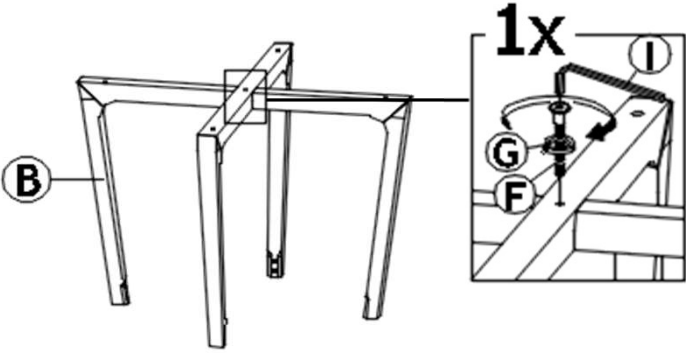
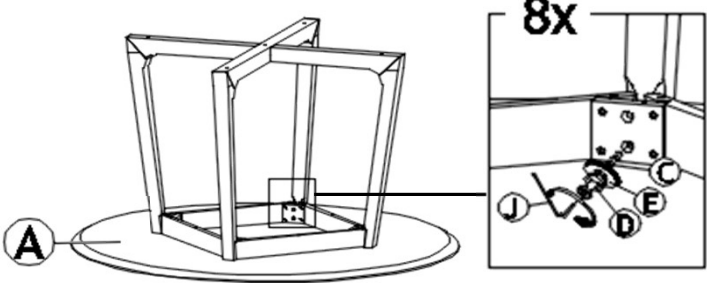
PARTS LIST

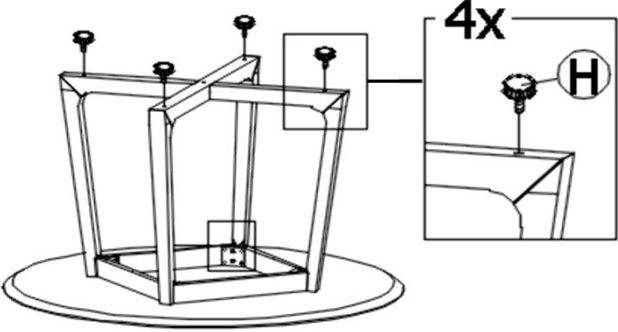

Before you begin, please layout all parts and ensure you have the correct count.

PARTS	DESCRIPTION	QUANTITY	ILLUSTRATION
A	Table Top	1	
B	Table Leg	2	
C	Screws (Ø8*80mm)	8	
D	S.Washer (5/16")	8	
E	F.Washer (5/16")	8	
F	Screws (Ø6*35mm)	1	
G	S.Washer (1/4")	1	

H	Adjustable Screw	4	
I	Allen Key M4	1	
J	Allen Key M5	1	

ASSEMBLY INSTRUCTIONS

STEPS	DESCRIPTION	ILLUSTRATION
1	Place the Table Leg1 onto bottom of Table Leg 2. Tighten with S.Washer(G) and Screw(F) by using the Allen Key M4(I).	
2	Place the Table Leg(B) with the Table Top(A) and attach them by inserting S.Washer(D),F.Washer(E) and Screw(C) by using the Allen Key M5(J).	

3	Insert the Adjustable(H) as shown as the picture.	
4	Assembly completed.	

ASSEMBLY TIPS:

Please check parts and hardware before assembling. Follow each instruction step by step.
 Place a protective pad or piece of cardboard on the floor while assembling your item on top of it.
 Remove all parts from the carton and separate them into part numbers/groups as indicated on the part list.
 Please follow instructions in the sequence as numbered to assure fast/easy assembly.

WARNING:

Don't attempt to repair or modify parts that are broken or defective - if you find a broken part please contact us for replacement.
 Keep all hardware parts out of the reach of children.

FURNITURE CARE:

Following these few basic steps will help to ensure that you enjoy your furniture for a long time:
 Do not expose your furniture to direct sunlight, dampness or any heat, like a hot cup of coffee or tea. Always use a coaster.
 Excessive exposure to sunlight may cause fading.
 Excessive temperature and humidity or cold may cause cracking or splitting.
 Dust with a clean, damp, lint free cloth.
 Use a damp cloth with water or mild detergent to clean all surfaces - do not use chemicals or paint thinner which will fade the surface.
 Place a piece of felt or a pad under the legs of your furniture to avoid scratching the floor.